

# Trappzilla® Sample Ports

## A Better Way to Sample

Municipal authorities around the world now require facilities to install a sampling port to gather and test effluent wastewater. This includes a sample well or a separate chamber downstream of the facility. In many cases, installation of a conventional sample well is a significant expense. Trappzilla® Sample Ports offer an affordable and accurate alternative to those large sample wells.

## Easy, Versatile Installation

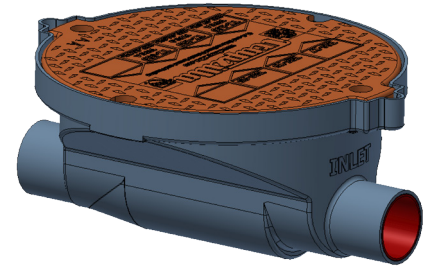
Trappzilla Sample Ports are designed for easy installation and may be installed inside or outside the facility on the wastewater drainage piping. An optional, field-modifiable extension collar is available for installations where the piping is deep in the ground. The Two-Piece Extension Collar features a telescoping design, making it easier to cut and set. The Sample Ports are small and lightweight and can be easily carried through regular doorways and down commercial facility staircases for basement installations.

## Works with any Interceptor

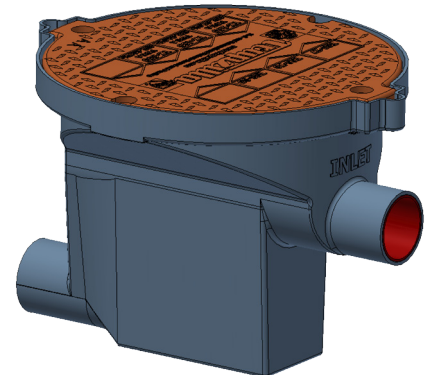
While Thermaco® recommends its use with Trappzilla Grease Interceptors, a Trappzilla Sample Port can be used with any grease interceptor, or oil/water separator on a 4" line. Additionally it can be installed in facilities that are not required to use interceptors, but are still expected to meet certain discharge standards (industrial processes, commercial facilities).

## Use with the Trappzilla GrabSampler™ for Easy Sampling

Thermaco recommends the use of its GrabSampler (sold separately), specifically designed to work with Trappzilla Sample Ports, for optimal results. The GrabSampler is designed to nest in the TZSP-40 or TZSP-48 and has a simple, adjustable jar carrier which can be used at any angle to gather samples.



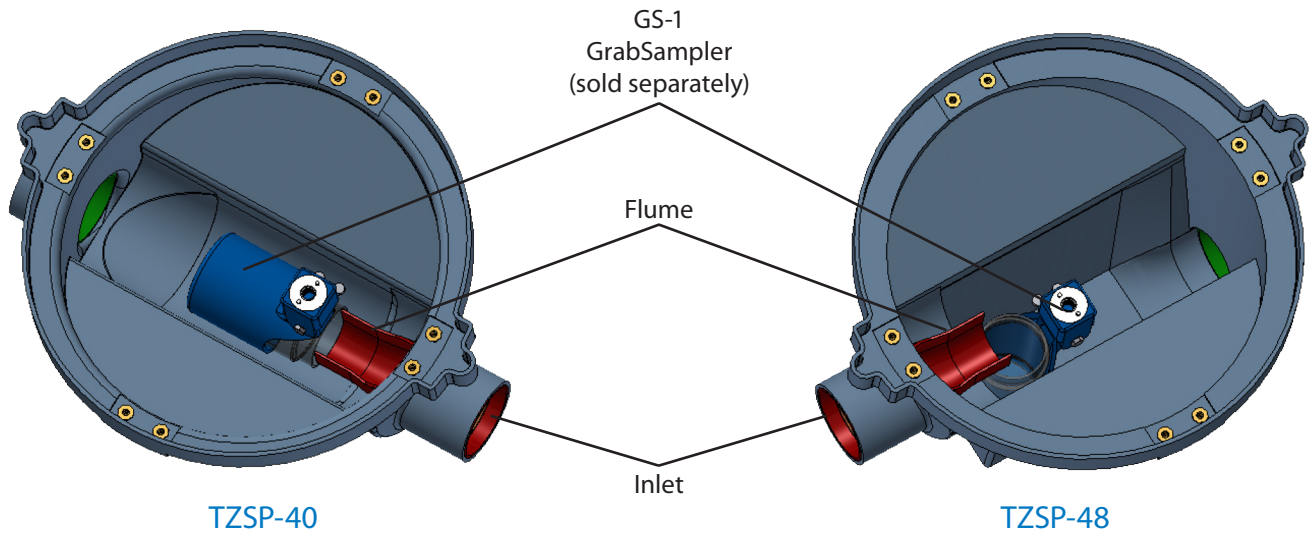
**TZSP-40**  
4" (102 mm) Inlet/Outlet  
0.5" (12.7 mm) Fall



**TZSP-48**  
4" (102 mm) Inlet/Outlet  
7.8" (198 mm) Fall

# Trapzilla® Sample Ports

## Sample Port Use and Operation



The TZSP-40 can be installed on existing lines using its patented flume to narrow and accelerate incoming flows allowing horizontal sample filling access despite the lack of a substantial fall gradient. When sampling a TZSP-40, the GrabSampler lays nearly flat in the sample port. The TZSP-40 is also suitable for composite sampling applications.

The TZSP-48 features a 8" fall to meet codes requiring vertical waterfall filling access. When sampling a TZSP-48, the GrabSampler sits vertically in the sample port. The flume narrows the flow path of incoming water, preventing the build-up of sediment in the inlet and accelerating the flow into the jar.

## Options for Installation and Use



GS-1  
GrabSampler

The GS-1 GrabSampler is specifically designed to be used with Trapzilla Sample Ports, but can be used with other sampling products and procedures. The threading allows the use of a standard paint stick, or an extendable stick for deeper installations.



ECA-TZ-29  
Extension Collar Assembly

For locations with a pipe level greater than the inlet/outlet depth of the Sample Port, an extension collar may be used to bring the lid to ground level and allow access. An extendable pole may be needed for the GrabSampler to reach the incoming water flow.

