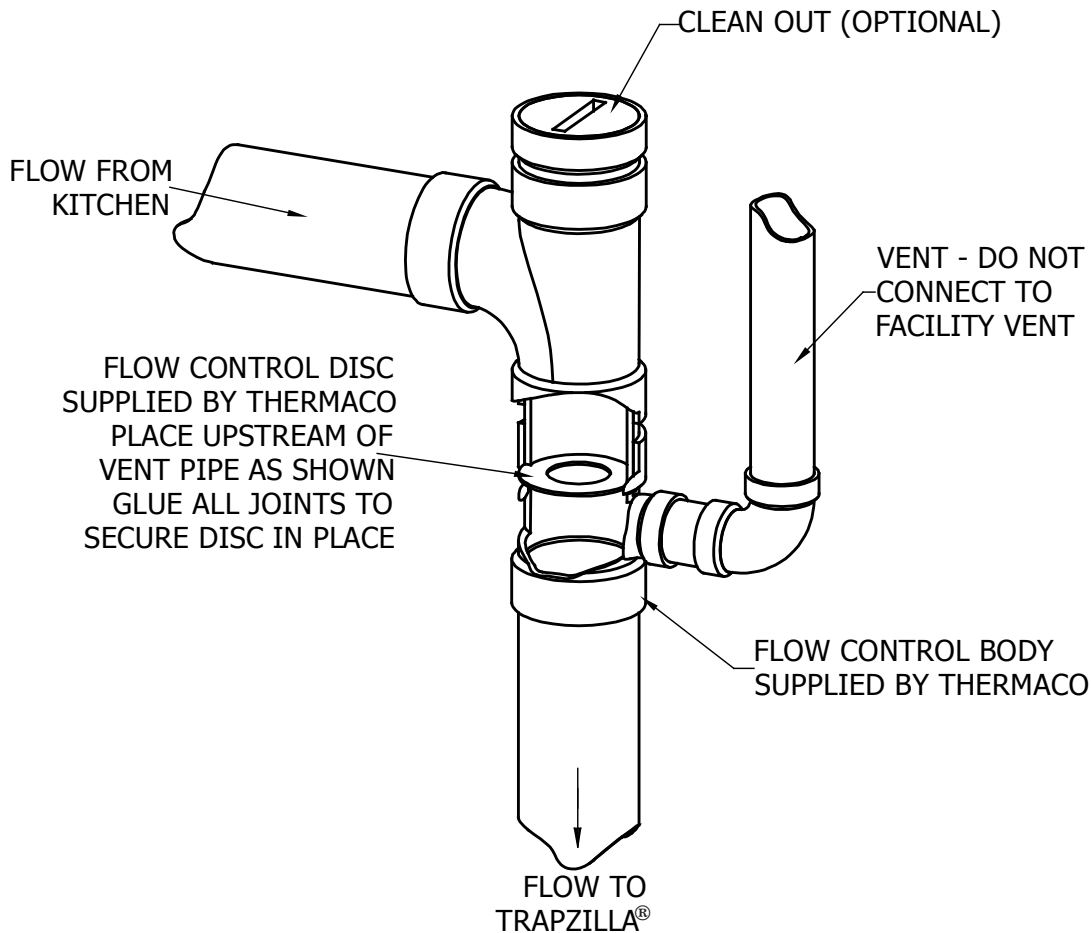




Trapzilla® Supercapacity Grease Traps

VFCA Vented Flow Control Installation Instructions



IMPORTANT!

The flow control should be installed after the last fixture as close as possible to the under side of the lowest fixture. If the flow control is installed more than 2 feet below the lowest fixture consult the manufacturer for a more restrictive disc.

The LHFC provided with your Trapzilla unit should NOT be install when using a Vented Flow Control Assembly VFCA

Note: Drawing for reference only. Equipment must be installed in compliance with all applicable laws, regulations and codes, including plumbing codes. Installation should be performed by a qualified plumber.