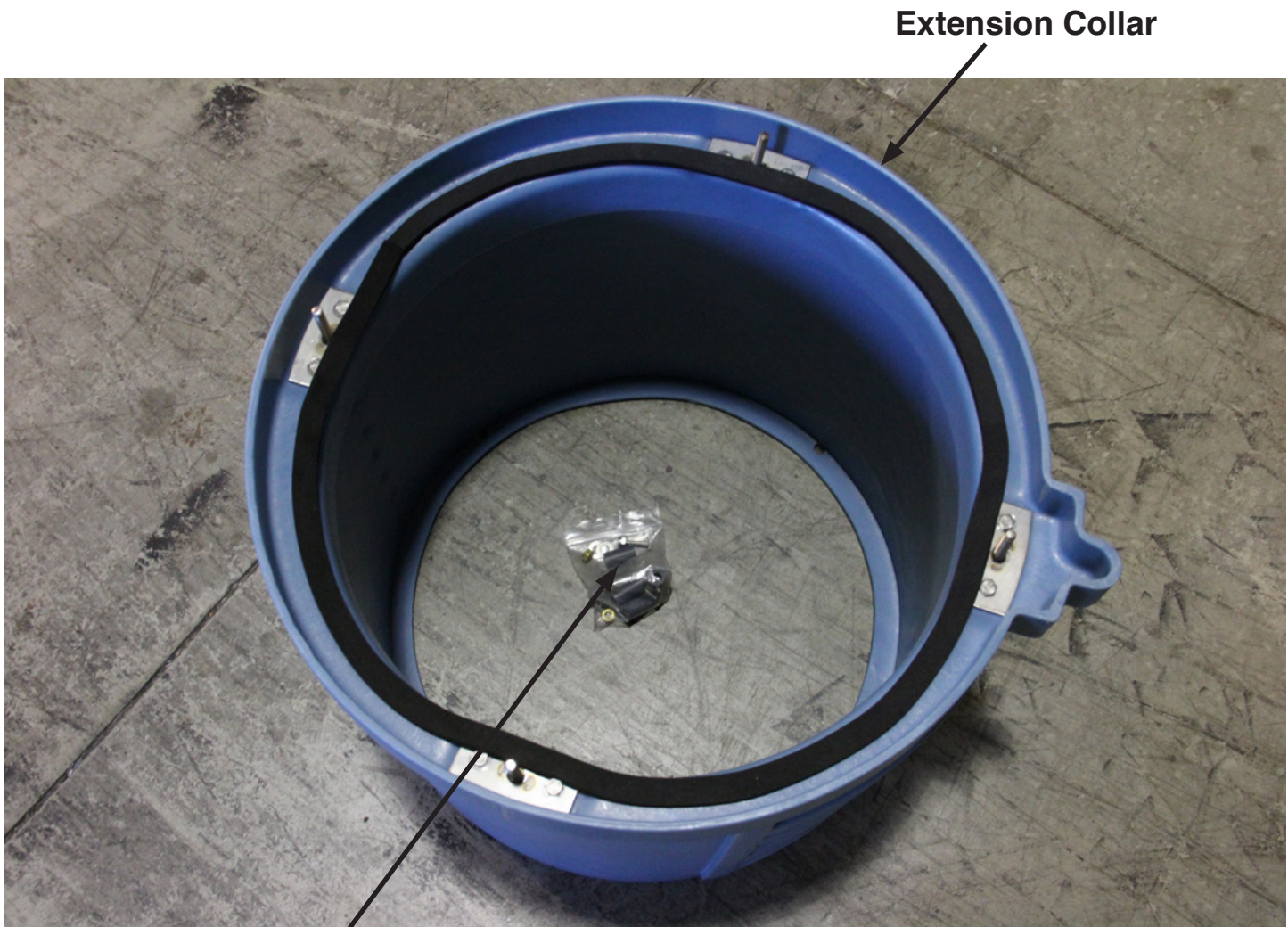


Trapzilla® ECA-TZ-29 and ECA-TSS-29
Extension Collar Installation Instructions

Parts Provided with the
ECA-TZ-29 and ECA-TSS-29 Extension Collar

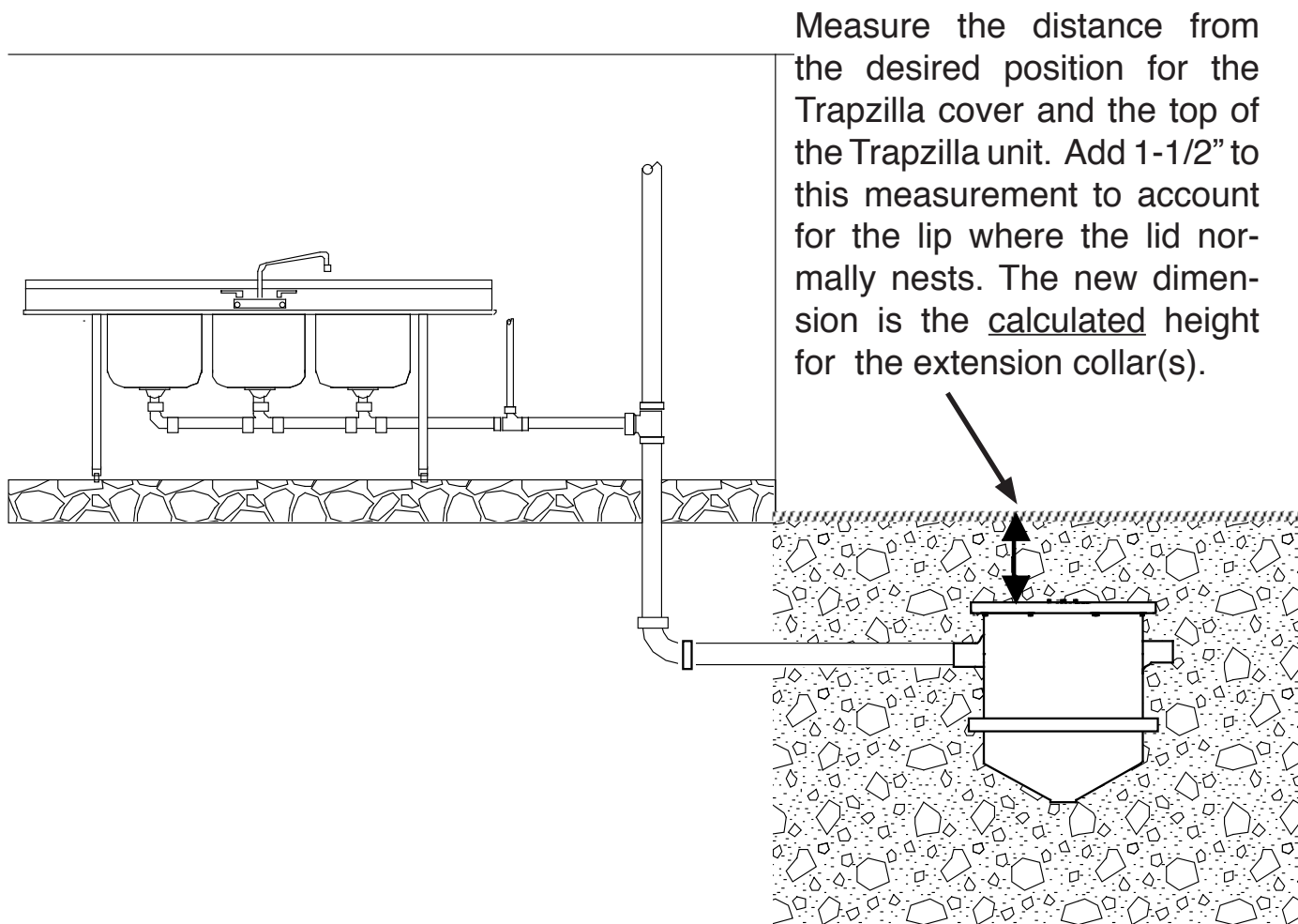


- * Bolts (4), Stainless Steel Nuts (4) & Washers (8) provided for bolting the two sections of the ECA together.
- Washers (4), Brass Nuts (4), and Spacers (4) provided for bolting the combined ECA to the Trapzilla.

WARNING: PROPER INSTALLATION INSTRUCTIONS MUST BE FOLLOWED FOR THERMACO WARRANTY TO BE VALID. MAXIMUM INSTALLATION DEPTH PERMITTED FOR TRAPZILLA GREASE INTERCEPTORS AND SOLIDS SEPARATORS IS 60" MEASURING FROM CENTER OF INLET TO SURFACE. ANY INSTALLATION DEEPER THAN THIS VOIDS THE WARRANTY FOR THE UNIT. CONTACT THERMACO REGARDING INSTALLATIONS EXCEEDING THIS DEPTH.

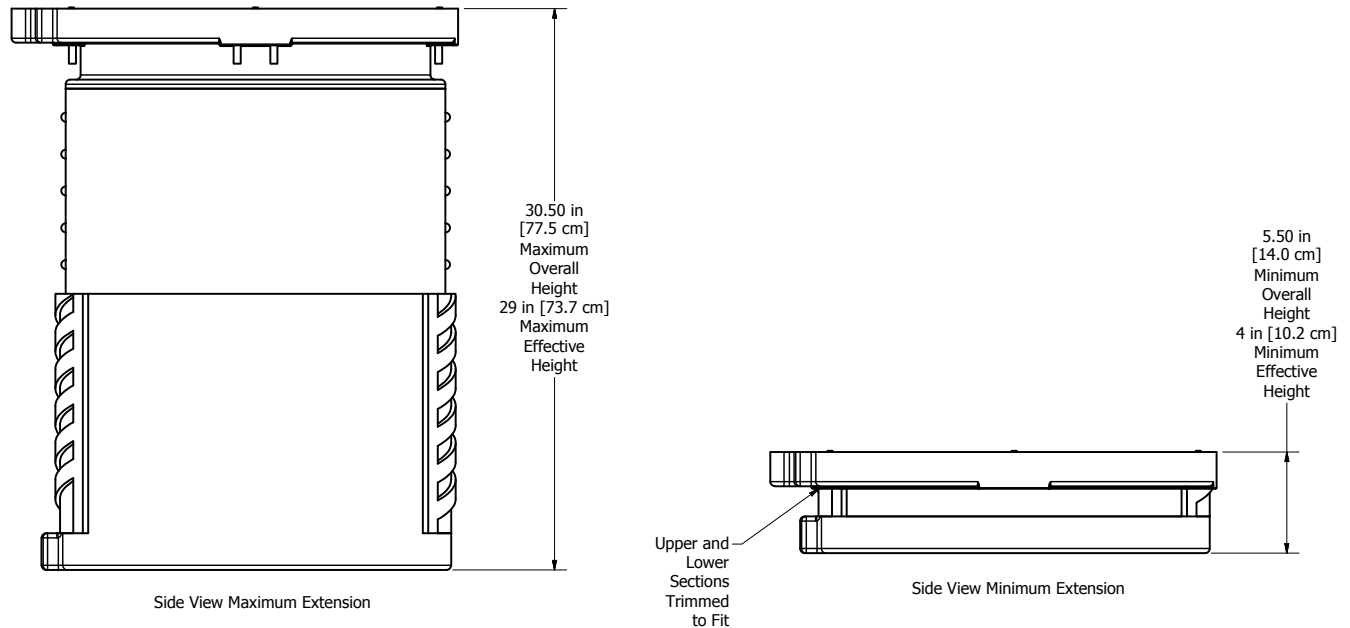


Trapzilla® ECA-TZ-29 and ECA-TSS-29 Extension Collar Installation Instructions



Trapzilla® ECA-TZ-29 and ECA-TSS-29 Extension Collar Installation Instructions

The extension collar height as calculated on page 2 determine the steps required to complete the extension collar installation. The ECA-TZ-29 as shipped is naturally adjustable between 17" and 30.5" in height. The following page (page 4) gives instructions for connecting the two collar halves. The remaining pages cover height adjustments.



If the calculated height (page 2) is between 17" and 30.5" inches please use page 5 of these instructions for setting the collar height.

If the calculated height is between 5-1/2" and 17" then the collar must be trimmed to match the calculated height. The minimum height for this collar assembly is 5-1/2". If the calculated height is less than 5-1/2", the finished grade level must be adjusted to match either the original Trapzilla cover position or the position with the 5-1/2" extension, or a ECALA-TZ-18 (ECALA-TSS-18 for TSS Models) may be purchased to meet calculated heights less than 5 1/2". Please follow the instructions on page 6 for trimming the collar. After trimming follow the instructions on page 5 for assembly.

If the calculated collar height is greater than 30.5 inches then multiple collars must be used. The multiple collars may be a combination of adjusted (page 5) and/or trimmed collars (page 6). Whenever possible use only the adjusted method for the best installation. Because of the "nesting" aspect of these collars, it is necessary to add 1-1/2" to the height of each additional collar (after the first one). (i.e. for 24" of calculated extension height collars of 13-1/2" and 12" could be used.) Follow the instructions on page 5 for assembly of multiple collars.

Use silicone sealant (not provided) to seal all joints to ensure a watertight installation.

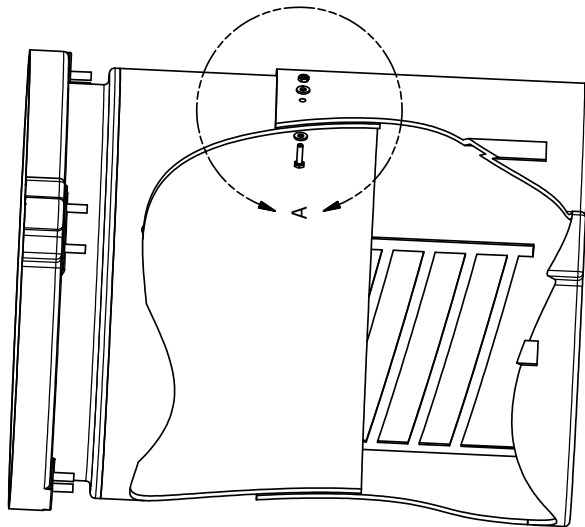
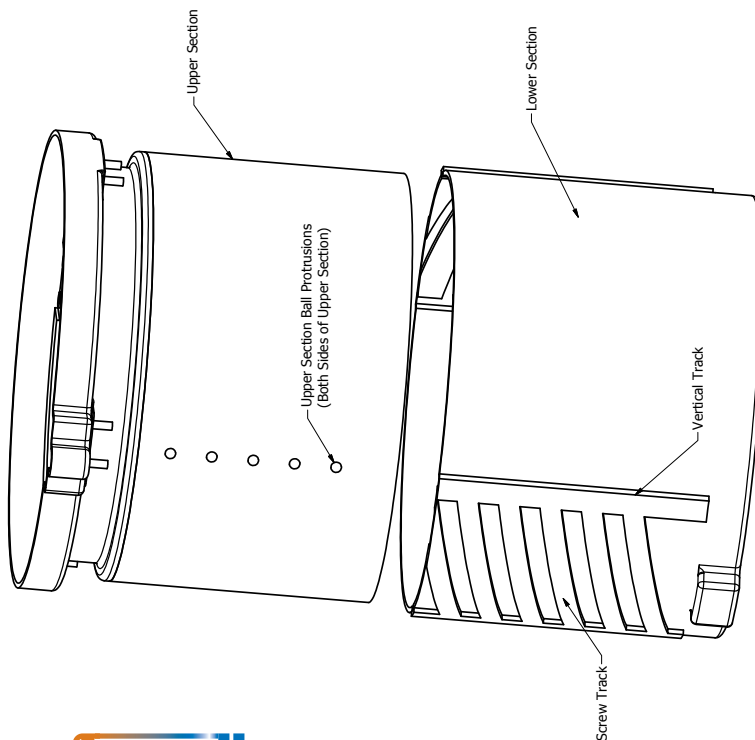


Trapzilla® ECA-TZ-29 and ECA-TSS-29 Extension Collar Installation Instructions

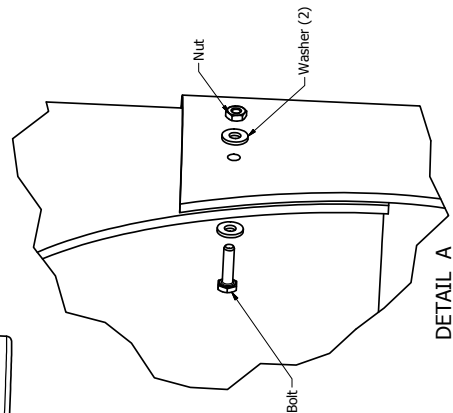
Bolting the Upper and Lower Pieces Together

To assemble: Align the ball protrusions on the upper section with the vertical tracks on the lower section. Push the two parts together to the approximate desired height (gross adjustment). Twist the upper section inside of the lower section so that the ball projections engage with the screw thread track. Continue this twisting motion, which will cause the upper section to rise or drop, until the final, desired height is attained.

Note: both upper and lower section may be trimmed to attain minimum extension collar height. Both parts should be trimmed equally. Allow an MINIMUM of 1 inch (2.54 cm) overlap between the two sections for bolting (see bolting instruction).



To secure top and bottom sections: Drill through both sections on both sides of the extension collar between the track areas. Bolt top and bottom sections together using the bolts, flat washers, and nuts provided (see diagram). A minimum of four (4) bolts should be used spaced equally in the areas between the tracks. For maximum clearance, the bolt heads should be to the inside with the nuts to the outside as shown.

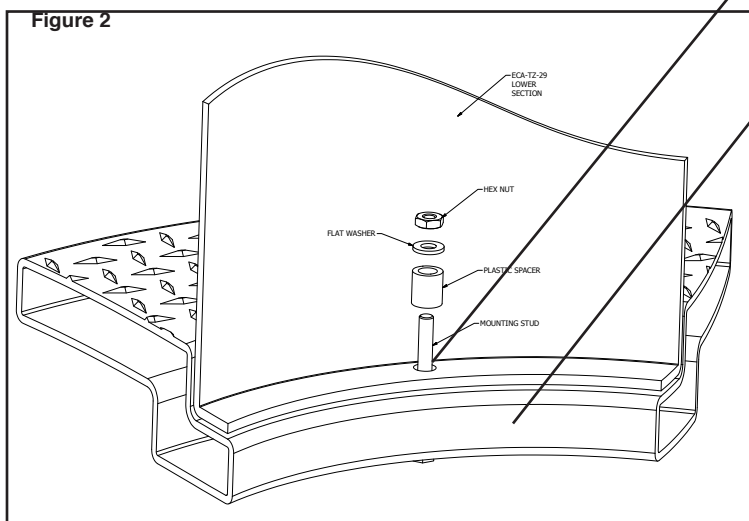
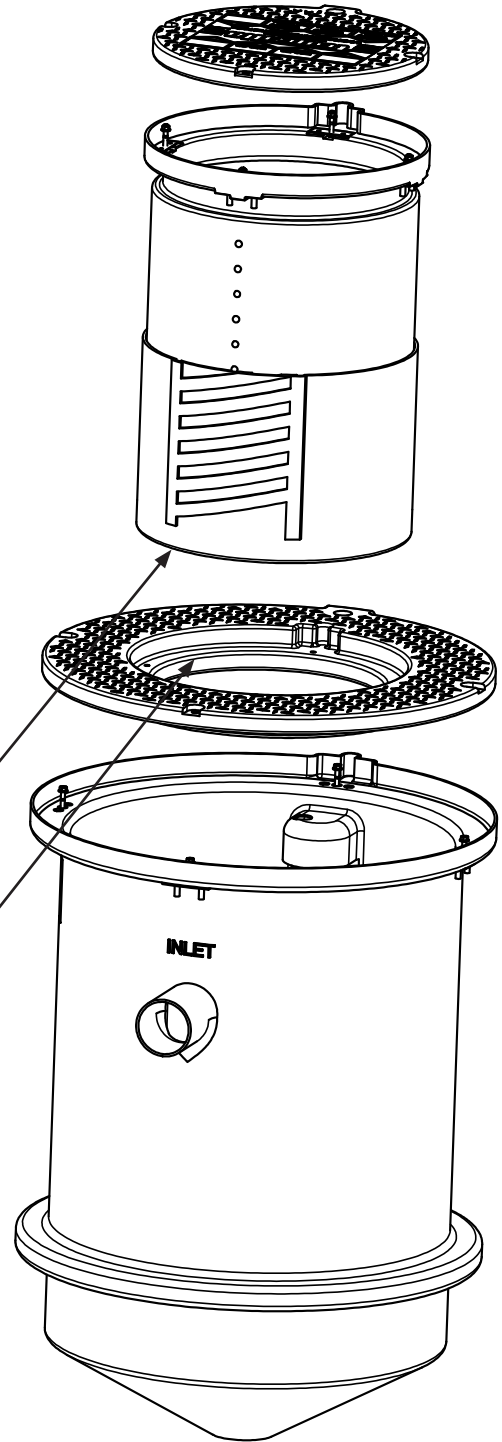


Trapzilla® ECA-TZ-29 and ECA-TSS-29 Extension Collar Installation Instructions

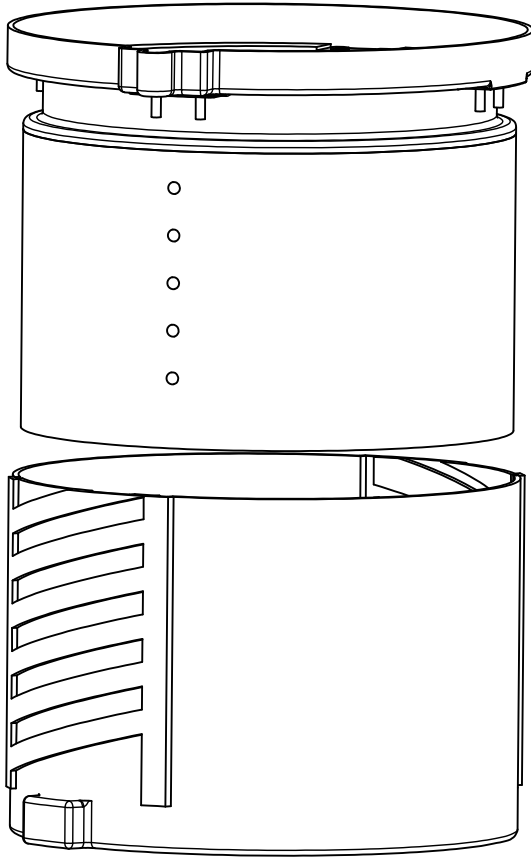
Setting the Adjusted Collar Height

- 1) Extend the collar to match the calculated height as determined on page 2.
- 2) Unscrew the brass nuts and remove the 22" Diameter Cover from the Trapzilla unit.
- 3) Using the instructions found on page 4, bolt the two pieces of the Extension Collar together. Use Silicone Sealant (not provided) to seal the space between the two sections of the collar.
- 4) Mount the assembled ECA collar to the Trapzilla unit. Use four (4) brass nuts, washers, and bushings (provided with the ECA) to mount the collar to the Trapzilla unit. Using the corresponding bolts in the Trapzilla top and the holes in the collar. Use Silicone Sealant (not provided) to seal the space between the collar and the Trapzilla unit. **See Figure 2**
- 5) Replace the Trapzilla cover to the extension collar and replace the washers and nuts removed in step 2.

Figure 1



Trapzilla® ECA-TZ-29 and ECA-TSS-29
Extension Collar Installation Instructions
Trimming the ECA Extension Collar



Upper (Inner) Section:
Measure from the Bottom and cut at the bottom of the section.

Lower (Outer) Section:
Measure from the Top and cut at the top of the section.

When trimming the ECA Extension Collar, ALWAYS:

- 1) Measure from the Top of the Lower (Outer) section & cut the top of the section.
- 2) Measure from the Bottom of the Upper (Inner) section and cut at the bottom of the section.
- 3) The amount to be trimmed from each piece is equal to 17" minus the calculated height. i.e. If the calculated necessary height is 7", 10" should be trimmed from each half. (17"-7"=10").
- 4) If necessary, cut out notches on the upper section where the bolts will align to ensure that the inner piece will fully rest on the lip of the lower section.

